



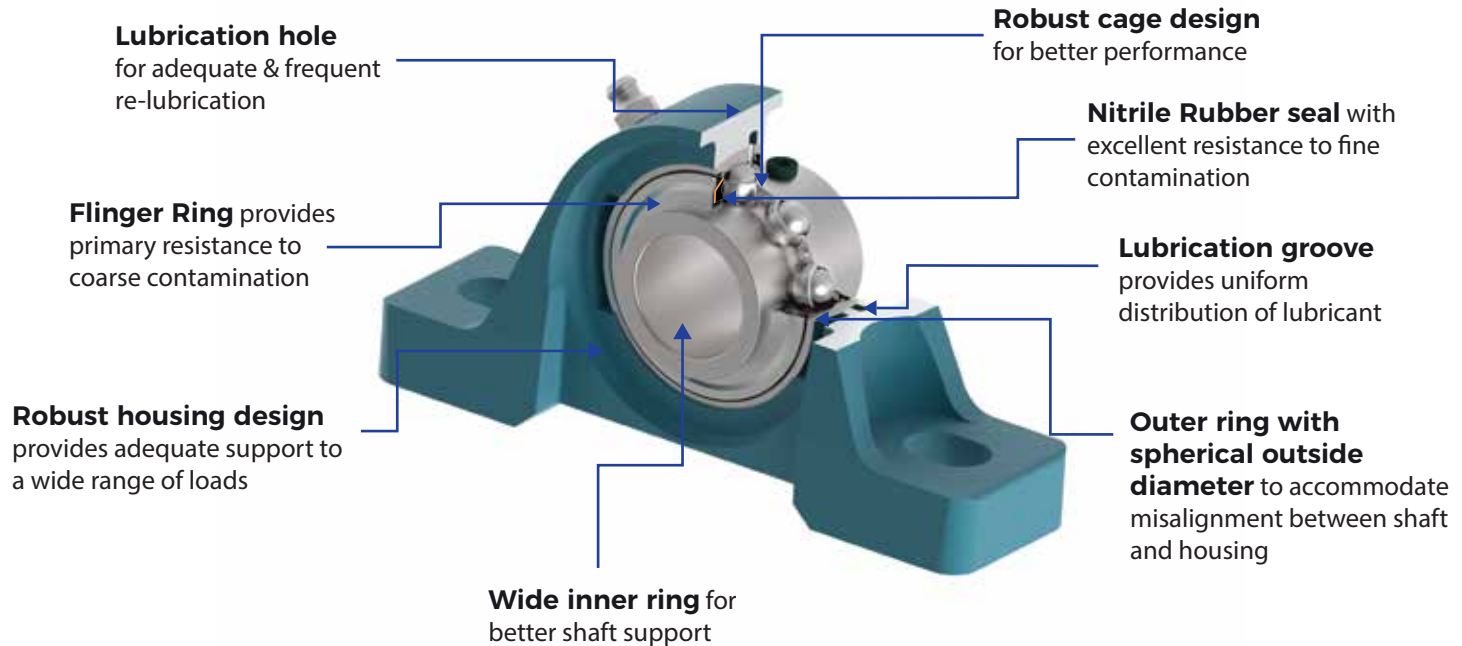
PILLOW BLOCKS

NBC ball bearing housed units consist of highly engineered cast iron housing and an insert ball bearing where cast-iron housing can be bolted to a support surface.

The NBC ball-bearing housed units fully comply with ISO standards.

In addition, NBC offers different housing designs and locking mechanisms that fulfill nearly all requirements. These housed units are best suited for low/moderate load and speed conditions; moreover, it comes with an engineered sealing technology that protects them from dirt and dust.

● FEATURES & BENEFITS



● Housing Design Variants



Pillow Block Units



Take Up Units



Four-Bolt Flanged Units



Two-Bolt Flanged Units



Piloted Round Flanged Units

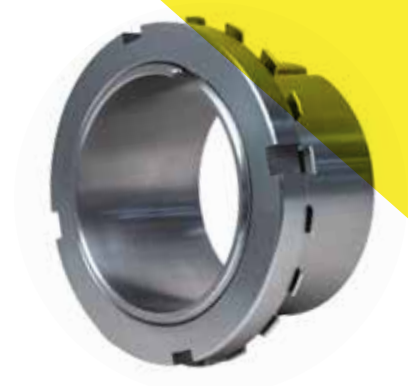
● Locking Mechanism Variants



Set Screw



Eccentric Locking Collar



Adaptor Sleeve

UC	Insert bearing with a set screw
Housing design variants	Pillow Block Units Piloted Round Flanged Unit Four-Bolt Flanged Unit Two-Bolt Flanged Unit Take-up Unit
Dimension series	2-Normal series. 3-Heavy series.
Size range	10-100 mm bore
Locking mechanisms	Set Screw, Eccentric Locking Collar, Adapter Sleeve

● Industries

- Material Handling
- Agricultural Machinery
- Food & Beverages
- Textile Machinery
- Mining & Construction
- Escalators and Elevators



Khatipura Road, Jaipur, Rajasthan, India 302 006 | T: +91 141 2223 221 | F: +91 141 2222 259 | Toll free: 1800 3000 6222 | E: neilsales@nbcbearings.in

© NEI Ltd 04/2022 | Follow us on: [f](#) [in](#) [v](#) [@](#) [t](#) / nbcbearings | www.nbcbearings.com

National Engineering Industries Ltd