

Spherical Roller Bearings



This version supersedes all previously published versions. All the bearing mentioned in this catalogue are manufactured with normal tolerance class. We can, however, supply other class bearing against specific requirement.

The material and Information contained here are for general information purpose only. You should not rely upon the material or information provided herein for any basis for making any business, legal or other decisions.

While we make every endeavour to keep the information accurate and correct, National Engineering Industries Ltd. makes no representations and warranties of any kind either express or implied about the correctness, accuracy, suitability, reliability or productivity with respect to information or concepts contained in this catalogue for any purpose. Any reliance on such material is solely at your risk and consequences.

© NEI Ltd. Jaipur 2024



2 WHEELERS



3 WHEELERS



4 WHEELERS



TRACTORS



LCV, HCV



INDUSTRIES



RAILWAYS



AEROSPACE



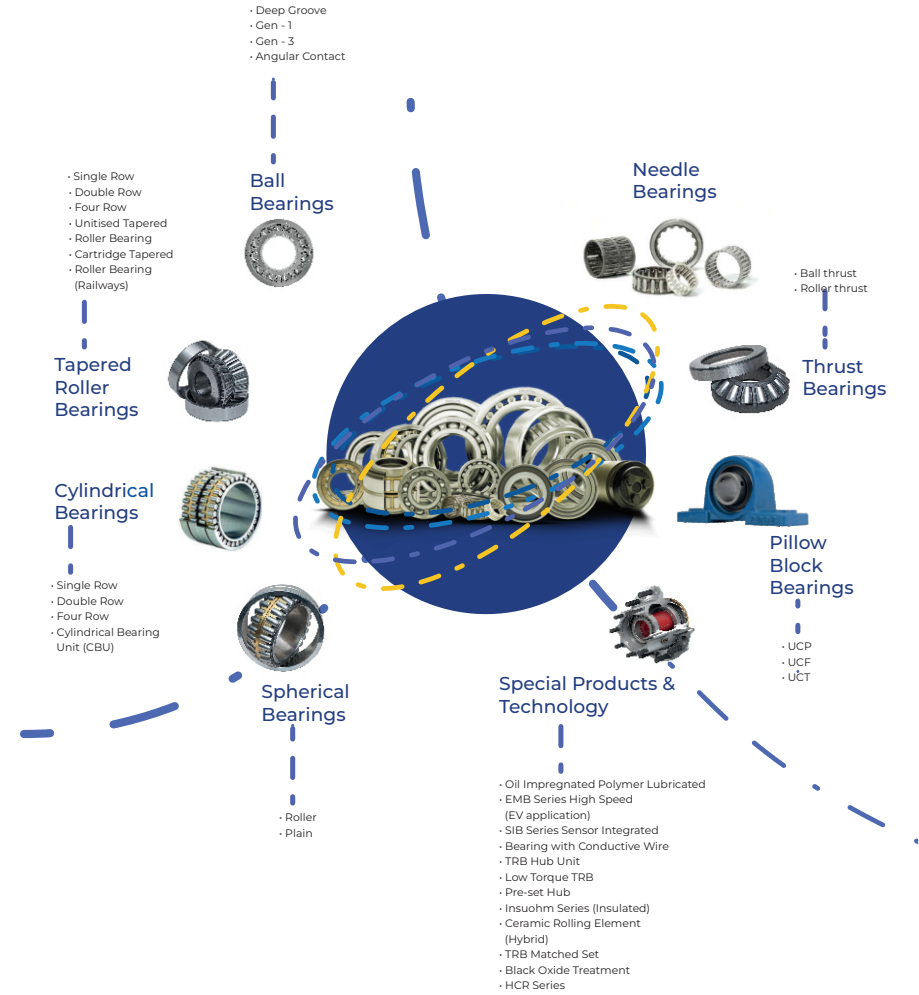
Products from NBC

Founded in 1946, NBC is India's first bearings manufacturer and the last word in quality and durability. In 2020, the company acquired leading European manufacturer, Kinex Bearings to further boost its expertise.

75 years since its beginning, NBC remains India's leading bearings manufacturer and exporter. NBC is also the world's only bearings manufacturer to receive the prestigious Deming Grand Prize for Total Quality Management.



Since the challenges faced by industry are many, NBC offers a diverse range of exceptional bearings. NBC bearings are available in sizes from 04 mm bore to 2000 mm outer diameter.



* Products with special features like high temperature application, special heat treatment, coated roller/faces and cage options are also available across product range.



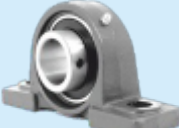






16 Pillow Block



NBC offers Pillow blocks for both standard and special applications. The Pillow blocks are made of cast steel housing and meet the harsh environmental conditions of industry. The units are with strong base and have radial insert ball bearing with grub screws. Sealing protect from dirt and dust.

Designation System

- Prefixes- insert bearing or housing type
- Figures – dimension series or size
- Suffixes – types of design variants

Bearing insert with set screw	Housing type	Insert bearing housing
	P 	UCP 
	T 	UCT 
	F 	UCF 
	FL 	UCFL 

UC	Housing type	Dimension series
<ul style="list-style-type: none"> • Insert bearing with set screw 	<ul style="list-style-type: none"> • P- Pillow block unit • F- Flanged unit, 4-bolt (square) • FL- Flanged unit, 2-bolt (oval) • T- Take-up unit 	<ul style="list-style-type: none"> • 2 – Normal series • 3 – Heavy series
Bore diameter	Design variant	
<ul style="list-style-type: none"> • 01 • 02 • 03 • 04 or higher = (bore dia. Code x 5) 	<ul style="list-style-type: none"> • Mounting • Type of threads • Cage..... 	

Example UCP205

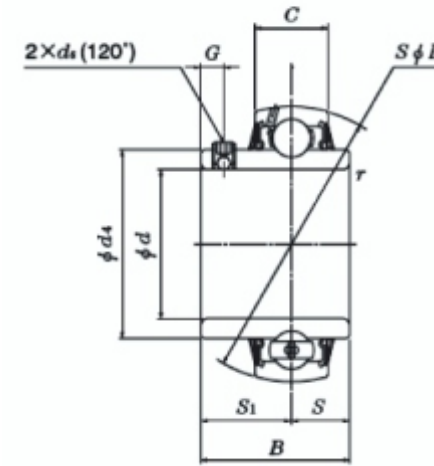
UC : Insert bearing with set screw
P : Pillow block housing
205 : 2- Normal series
05 : Bore diameter (Bore size 25 mm)

Example UCF305-16

UC : Insert bearing with set screw
F : Flange unit 4-bolt (square)
305-16 : 3 - Heavy duty series
05-16 : 16/16 or 1 inch bore diameter

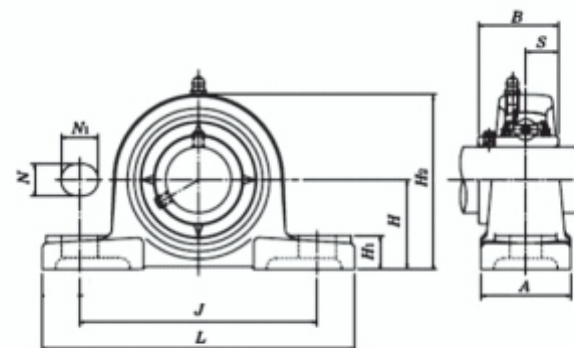
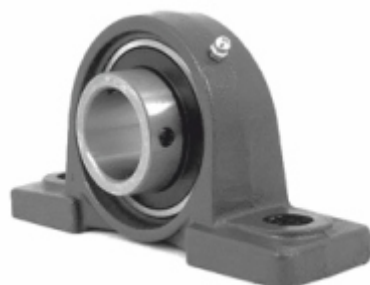
After bearing size two-digit number separated by a hyphen, gives the bore size in inch. It is the number of sixteenths (1/16) of an inch.

UC Ball Bearing Set Screw Type



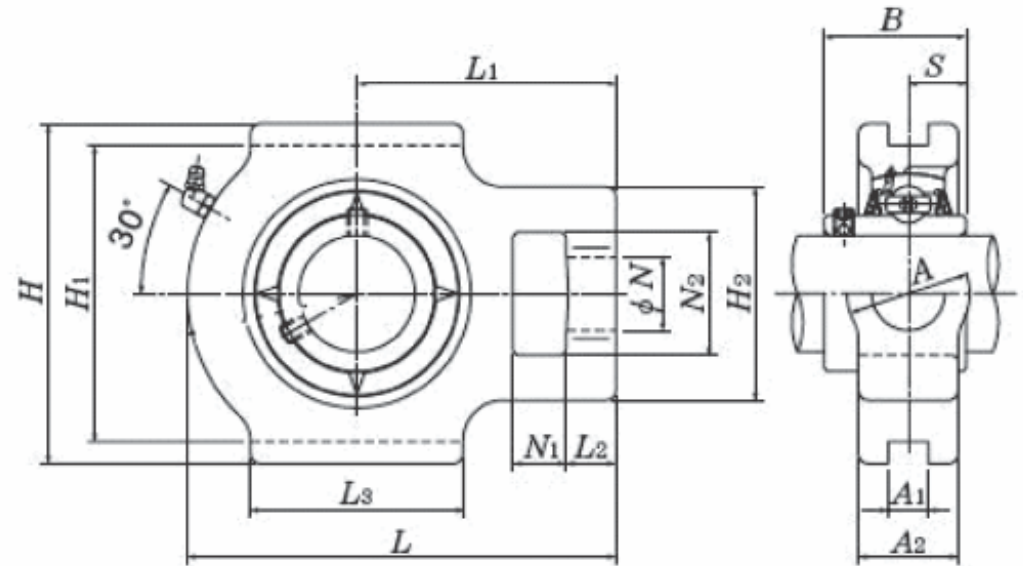
Shaft Dia	Unit no.	d	D	B	C	r _s Min.	S	S ₁	G	d _s	Basic Load Rating		Mass (Kg.)
											Dynamic C _r (KN)	Static C _{or} (KN)	
19.05	UC204-12	19.05	47	31	16	1	12.7	18.3	5	2-1/4-28	12.8	6.65	0.16
20	UC204	20	47	31	16	1	12.7	18.3	5	2-M6 X 1	12.8	6.65	0.16
25	UC205	25	52	34	17	1	14.3	19.7	5.5	2-M6 X 1	14.1	7.88	0.19
25.4	UC205-16	25.4	52	34	17	1	14.3	19.7	5.5	2-1/4-28	14.1	7.88	0.19
30	UC206	30	62	38.1	19	1.1	15.9	22.2	5.5	2-M6 X 1	19.5	11.3	0.31
31.75	UC207-20	31.75	72	42.9	20	1.1	17.5	25.4	6.5	2-5/16-24	25.6	15.3	0.5
35	UC207	35	72	42.9	20	1.1	17.5	25.4	7	2-M8 X 1	25.7	15.3	0.5
38.1	UC208-24	38.1	80	49.2	21	1.1	19	30.2	8	2-5/16-24	31.7	20.7	0.68
40	UC208	40	80	49.2	21	1.1	19	30.2	8	2-M8 X 1	29.5	18.1	0.68
45	UC209	45	85	49.2	22	1.1	19	30.2	8	2-M8 X 1.25	31.7	23.1	0.68
50	UC210	50	90	51.6	23	1.1	19	32.6	10	2-M10 X 1.25	35	23.2	0.78
50.5	UC211-32	50.8	100	55.6	24	1.5	22.2	33.4	10	2-3/8-24	43.5	29.2	1.22
55	UC211	55	100	55.6	24	1.5	22.2	33.4	10	2-M10 X 1.25	43.5	29.2	1.22
60	UC212	60	110	65.1	26	1.5	25.4	39.7	10	2-M10 X 1.25	47.7	32.9	1.52
63.5	UC213-40	63.5	120	65.1	27	1.5	25.4	39.7	10	2-3/8-24	57.5	40	1.9
65	UC213	65	120	65.1	27	1.5	25.4	39.7	10	2-M10 X 1.25	57.5	40	1.9

UCP - Pillow blocks (Cast housing & Set screw)



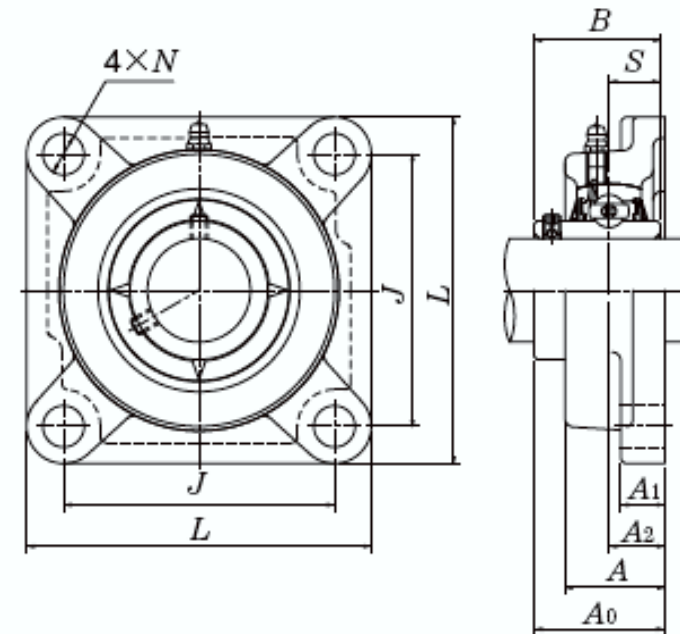
Shaft Dia	Unit no.	H	L	J	A	N	N ₁	H ₁	H ₂	B	S	Bearing No.	Mass (Kg.)
19.05	UCP204-12	33.3	127	95	38	13	16	14	64	31	12.7	UC204-12	0.7
20	UCP204	33.3	127	95	38	13	16	14	64	31	12.7	UC204	0.7
25	UCP205DI	36.5	140	105	38	13	16	15	71	34.1	14.3	UC 205 D ₁	0.8
25	UCP205	36.5	140	105	38	13	19	15	69.5	34	14.3	UC205	0.8
25.4	UCP205-16	36.5	140	105	38	13	19	15	69.5	34	14.3	UC205-16	0.8
28.575	UCP206-18	42.9	165	121	48	17	21	17	83	38.1	15.9	UC206-18	1.17
30	UCP206	42.9	160	121	44	14	19	16	82	38.1	15.9	UC206	1.28
31.75	UCP207-20	47.6	167	127	48	15	19	17	92	42.9	17.5	UC207-20	1.5
	UCP206-20	42.9	165	121	48	17	21	18	83	38.1	15.9	UC206-20	1.17
35	UCP207	47.6	167	126	48	17	21	18	94	42.9	17.5	UC207	1.5
38.1	UCP208-24	49.2	180	137	52	15	21	18	98	49.2	19	UC208-24	1.98
40	UCP208	49.2	183	136	54	17	21	19	98	49.2	19	UC208	1.91
44.45	UCP209-28	54	189	146	54	17	21	21	106	49.2	19	UC209-28	2.09
45	UCP209	54	189	146	54	15	21	20	106	49.2	19	UC209	2.08
50	UCP210	57.2	204	159	60	19	22	21	112	51.6	19	UC210	2.58
50.8	UCP211-32	63.5	217	171	60	19	22	22	125	55.6	22.2	UC211-32	3.62
55	UCP211	63.5	219	170	58	20	25	24	126	55.6	22.2	UC211	3.25
57.15	UCP212-36	69.8	238	183	70	20	23	26	138	65.1	25.4	UC212-36	4.5
60	UCP212	69.8	238	184	66	19	25	24	137	65.1	25.4	UC212	4.32
63.5	UCP213-40	76.2	262	203	70	23	29	26	149	65.1	25.4	UC213-40	5.38
65	UCP213	76.2	263	202	70	25	29	28	150	65.1	25.4	UC213	5.38
75	UCP215	82.6	275	216	75	25	30	28	161	77.8	33.3	UC215	7.2
76.2	UCP215-48	82.6	275	216	75	25	30	28	161	77.8	33.3	UC215-48	7.2

UCT Take-up units (Cast housing & Set screw type)



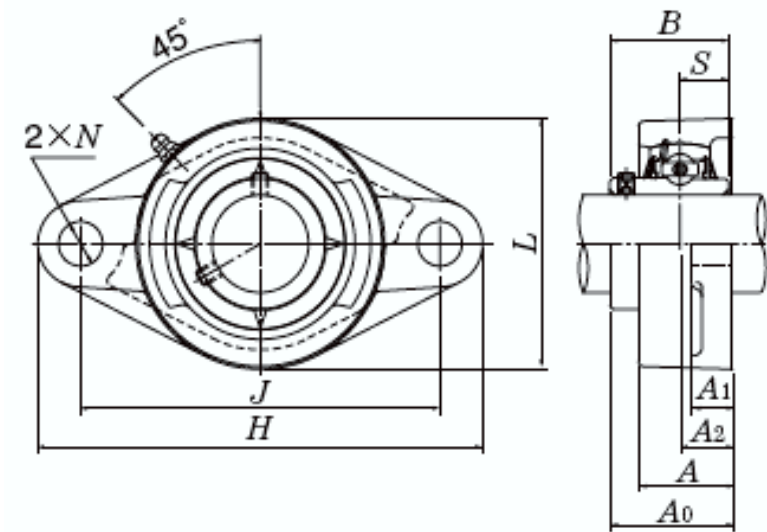
Shaft Dia	Unit no.	N ₁	L ₂	H ₂	N ₂	N	L ₃	A ₁	H ₁	H	L	A ₂	A	L ₁	B	S	Mass (Kg.)
28.575	UCT206-18	16	10	56	37	22	57	12	89	102	113	27	37	70	38.1	15.9	1.05
30	UCT206	16	10	56	37	22	57	12	89	102	113	27	37	70	38.1	15.9	1.05
31.75	UCT206-20	16	10	56	37	22	57	12	89	102	113	27	37	70	38.1	15.9	1.05
	UCT207-20	16	13	64	37	22	64	12	89	102	129	28	37	78	42.9	17.5	1.66
35	UCT207	16	13	64	37	22	64	12	89	102	129	28	37	78	42.9	17.5	1.64
44.45	UCT209-28	19	16	83	49	29	83	16	102	117	144	34	49	87	49.2	19	2.33
45	UCT209	19	16	83	49	29	83	16	102	117	144	34	49	87	49.2	19	2.3
50	UCT210	19	16	83	49	29	86	16	102	117	149	34	49	90	51.6	19	2.5
50.8	UCT211-32	25	19	102	64	35	95	22	130	146	171	36	64	106	55.6	22.2	3.35
55	UCT211	25	19	102	64	35	95	22	130	146	171	36	64	106	55.6	22.2	3.3

UCF 4 Bolt Flanged units (Cast housing & Set screw type)



Shaft Dia	Unit no.	L	J	A ₂	A ₁	A	N	A ₀	B	S	Mass (Kg.)
25	UCF205	95	70	16	13	27	12	35.7	34.1	14.3	0.7
28.575	UCF206-18	108	83	18	14	31	12	40.2	38.1	15.9	0.99
30	UCF206	108	83	18	14	31	12	40.2	38.1	15.9	0.99
35	UCF207	117	92	19	16	34	14	44.4	42.9	17.5	1.31
40	UCF208	130	102	21	16	36	16	51.2	49.2	19	1.7
45	UCF209	137	105	22	18	38	16	52.2	49.2	19	1.88
50	UCF210	143	111	22	18	40	16	54.6	51.6	19	2.39
55	UCF211	162	130	25	20	43	19	58.4	55.6	22.2	3.18

UCFL 2 Bolt Flanged units (Cast housing & screw type)



Shaft Dia	Unit no.	H	J	A ₂	A ₁	A	N	L	A ₀	B	S
20	UCFL204	120	90	15	11	25.5	12	59	33.3	31	12.7
25	UCFL205	129	99	16	13	27	16	68	35.7	34.1	14.3
25.4	UCFL205-16	129	99	16	13	27	16	68	35.7	34.1	14.3
28.575	UCFL206-18	147	117	18	13	31	16	79	40.2	38.1	15.9
30	UCFL206-18	147	117	18	13	31	16	79	40.2	38.1	15.9
31.75	UCFL207-20	161	130	19	15	35	16	90	44.4	42.9	17.5
35	UCFL207	161	130	19	15	35	16	90	44.4	42.9	17.5
38.1	UCFL208-24	176	144	21	15	36	16	102	51.2	49.2	19
40	UCFL208	176	144	21	15	36	16	102	51.2	49.2	19
50	UCFL210	200	157	22	15	40	19	116	54.6	51.6	19
60	UCFL212	251	202	29	18	48	23	142	68.7	65.1	25.4